

FEED HANDLING EQUIPMENT

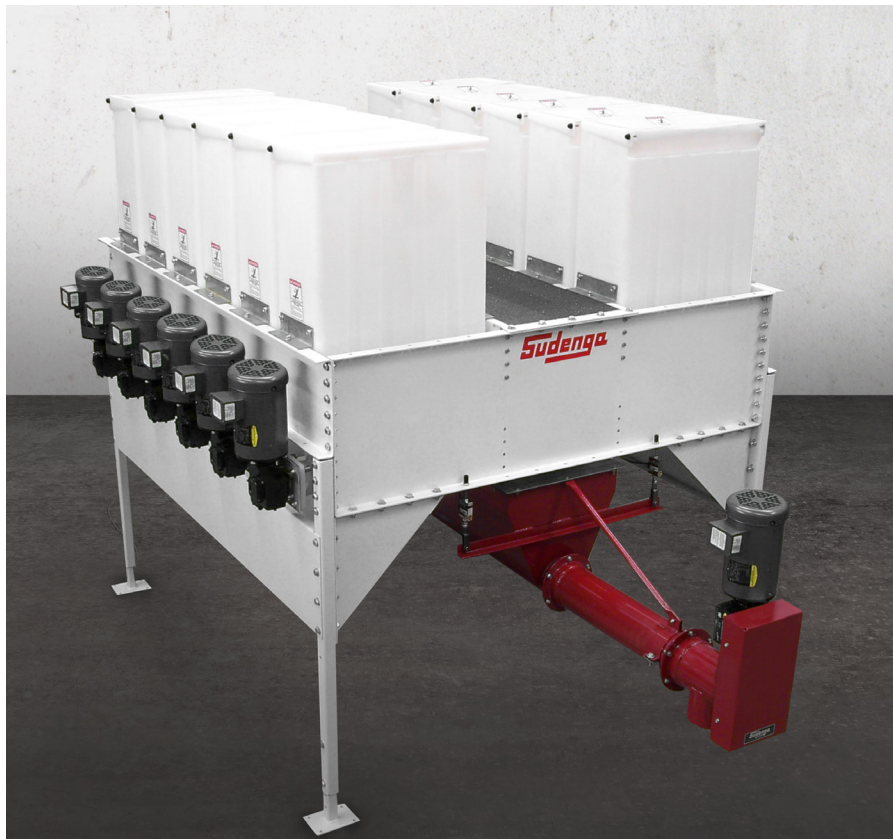
MICRO SKID

Sudenga's standard-duty micro skid offers cost effective solutions for micro management and can be easily integrated in existing feed mill systems. Up to 24 six-cubic-foot hoppers available. Systems provide accuracy to within two one-hundredths of a pound.



Sudenga®

INDUSTRIES, INC. S-2000



WWW.SUDENGA.COM

Learn more
or get a quote



- NTEP approved "S" style load cells.

- Stainless steel flush hopper (gate optional) reduces cross contamination between formulations.

- Ribbed poly bin for strength and rigidity.
Available in poly or stainless steel.

Sizes 3 cu. ft. (85 liters) or 6 cu. ft. (170 liters).
Custom sizes available in stainless steel bins.

1-888-SUDENGA | 1-712-475-3301 | Fax: 1-712-475-3320
PO Box 8, 2002 Kingbird Ave., George, IA 51237 USA
sales@sudenga.com | www.sudenga.com

FEED HANDLING EQUIPMENT MICRO SKID

STANDARD FEATURES

- Maintenance free UHMW end bearings on micro hopper discharge auger
- Center walk-through aisles
- VFD controls for high and low speed motor settings
- Half pitch flighting in bin intake and double full pitch flighting on discharge end assures consistent material flow. Available in carbon or stainless steel



Micro motor control panel with VFD for two-speed motor controls.



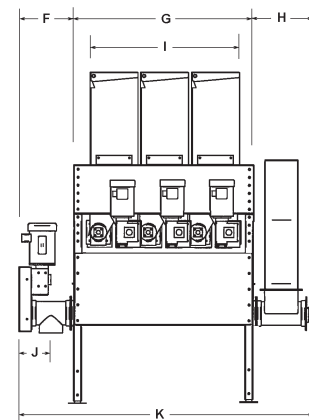
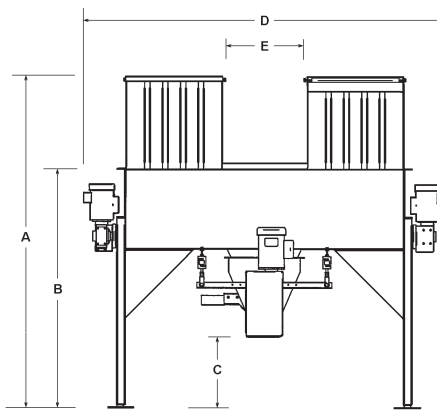
Maintenance free UHMW bearings



Half pitch flighting in bin intake and double full pitch flighting on discharge end.

SPECIFICATIONS

	Inches	Centimeters
A (min)	83¾	213
A (max)	93¾	238
B (min)	60¼	153
B(max)	70¼	178
C (min)	19½	50
C (max)	29½	75
D	91	231
E	21½	55
F	14¼	36
G	45	114
H	14¼	36
I	37	94
J	8½	22
K	74¼	189



Skid length increases 12½" (32 cm) for each additional bin pair.

Learn more
or get a quote

1-888-SUDENGA | 1-712-475-3301 | Fax: 1-712-475-3320
PO Box 8, 2002 Kingbird Ave., George, IA 51237 USA
sales@sudenga.com | www.sudenga.com

