

FEED EQUIPMENT

MIXER/SURGE HOPPER



Increase production with a specially designed surge hopper for your horizontal mixer.
Sudenga's Horizontal Mixer / Surge Hopper combination can increase your production time with reduced batch cycle times and fast, efficient clean out.

Sudenga®

INDUSTRIES, INC.



- Fast, efficient clean-out between mixing batches
- Durable construction and easy system integration
 - 2000, 4000, & 6000 lb. capacities
- Surge conveyor can be designed using a curved section for inclines up to 45°
- Surge hopper capacity will hold the complete batch in the mixer

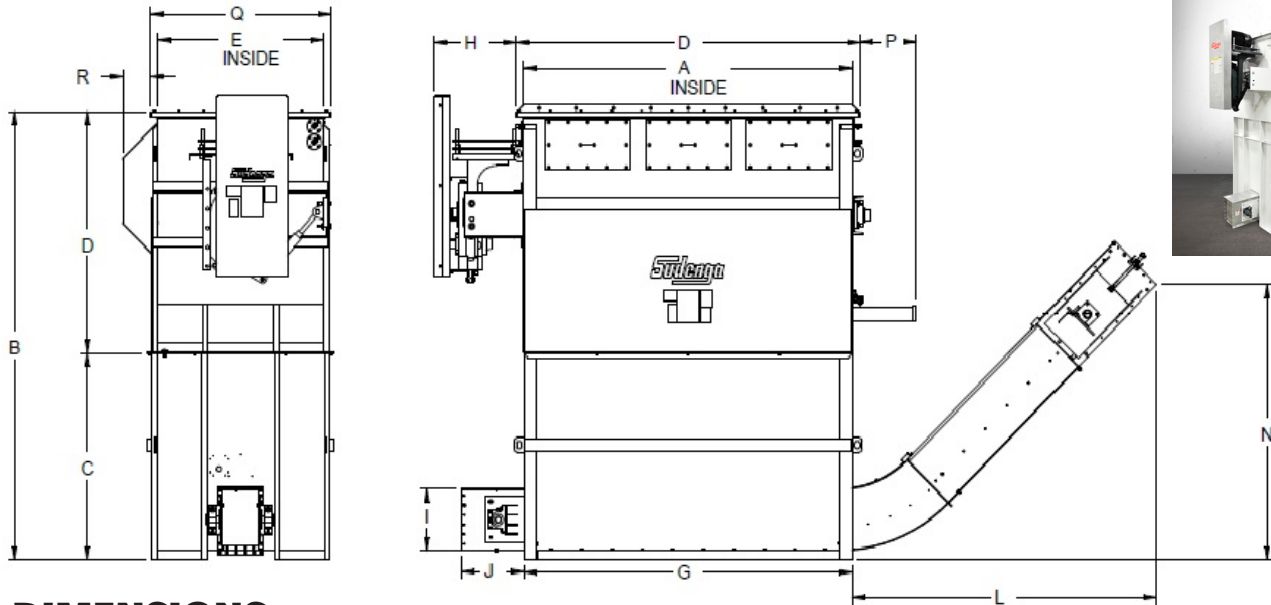
Learn more
or get a quote



1-888-SUDENGA | 1-712-475-3301 | Fax: 1-712-475-3320
PO Box 8, 2002 Kingbird Ave., George, IA 51237 USA
sales@sudenga.com | www.sudenga.com

FEED EQUIPMENT

MIXER/SURGE HOPPER



DIMENSIONS

Model	Mixer Tank Capacity TT (m ³)	Mixing Capacity Volume TT (m ³)	Surge Hopper Working Capacity TT (m ³)	A	B	C	D	E	F	G	H	I	J	K	L	M	N	P	Q	R
				inches (cm)	inches (cm)	inches (cm)	inches (cm)	inches (cm)	inches (cm)	inches (cm)	inches (cm)	inches (cm)	inches (cm)	inches (cm)	inches (cm)	inches (cm)	inches (cm)	inches (cm)	inches (cm)	inches (cm)
M2000	86 (2.44)	60 (1.70)	73.50 (2.08)	72.00 (182.9)	137.62 (349.6)	63.12 (160.3)	74.50 (189.2)	46.00 (116.8)	75.94 (192.9)	72.00 (182.9)	18.75 (47.6)	19.25 (48.9)	20.00 (50.8)	Variable	31.50 (80.0)	17.63 (44.8)	Variable	18.44 (46.8)	49.50 (125.7)	9.12 (23.2)
	180 (5.09)	120 (3.39)	147.00 (4.16)	108.00 (274.3)	139.37 (354.0)	64.25 (163.2)	75.12 (190.8)	54.25 (137.8)	113.00 (287.0)	108.00 (274.3)	26.50 (67.3)	19.25 (48.9)	20.00 (50.8)	Variable	31.50 (80.0)	17.63 (44.8)	Variable	18.44 (46.8)	59.00 (149.9)	9.12 (23.2)
M6000	272 (7.70)	190 (5.38)	232.75 (6.59)	126.00 (320.0)	171.88 (436.6)	79.38 (201.6)	92.50 (235.0)	62.00 (157.5)	131.12 (333.0)	126.00 (320.0)	30.88 (78.4)	19.25 (48.9)	20.00 (50.8)	Variable	31.50 (80.0)	17.63 (44.8)	Variable	18.44 (46.8)	67.25 (170.8)	9.12 (23.2)

FEATURES

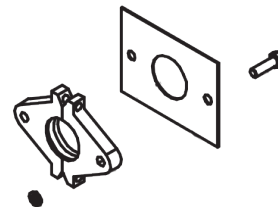
- Fast, efficient clean-out between mixing batches
- Surge conveyor can be designed using a curved section for inclines up to 45°
- Available with paddle drag conveyor
- Surge hopper capacity will hold the complete batch in the mixer
- Custom designed conveyor extension for each specific application

MULTIPLE SLIDE GATE

- One, two or three gate openings
- Curve slide gate arrangement eliminates any interior pockets
- Bolted, replaceable UHMW on sliding surfaces
- Adjustable gate support track
- Pneumatic or electric operated



Optional outboard mounted pillowblock bearings with removable shims for ribbon clearance adjustment



Standard split mainshaft end seal. Packing is easily removed for maintenance.

(PILLOW BLOCK BEARINGS ONLY.)



Torque arm reducer drive.

(BELT GUARD IS REMOVED FOR ILLUSTRATION PURPOSES)

Learn more or get a quote



1-888-SUDENGA | 1-712-475-3301 | Fax: 1-712-475-3320
 PO Box 8, 2002 Kingbird Ave., George, IA 51237 USA
 sales@sudenga.com | www.sudenga.com